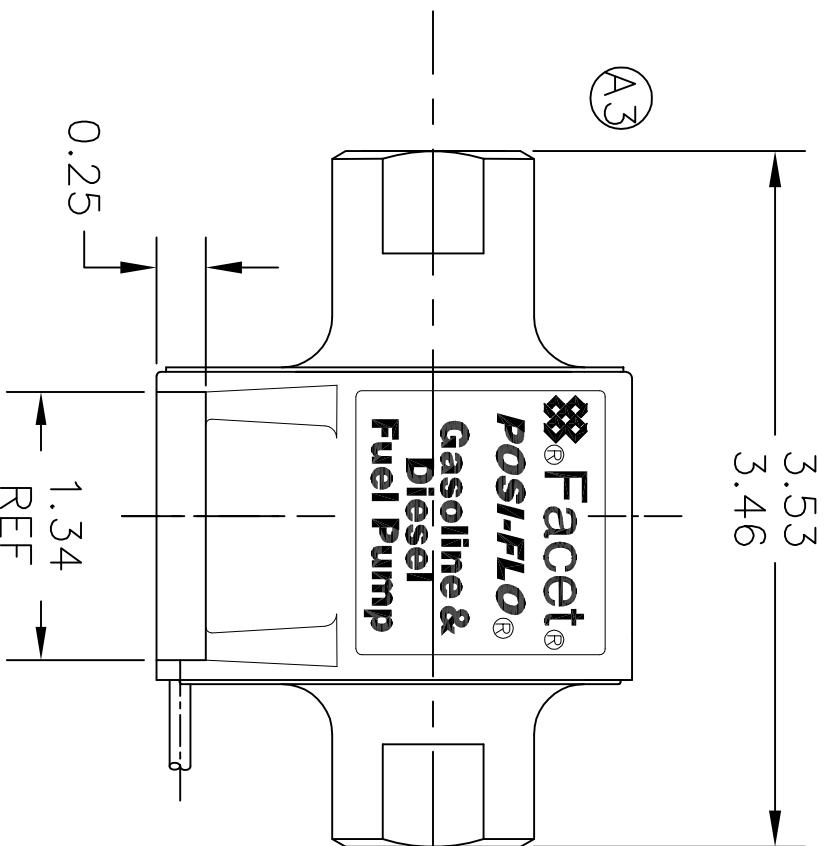
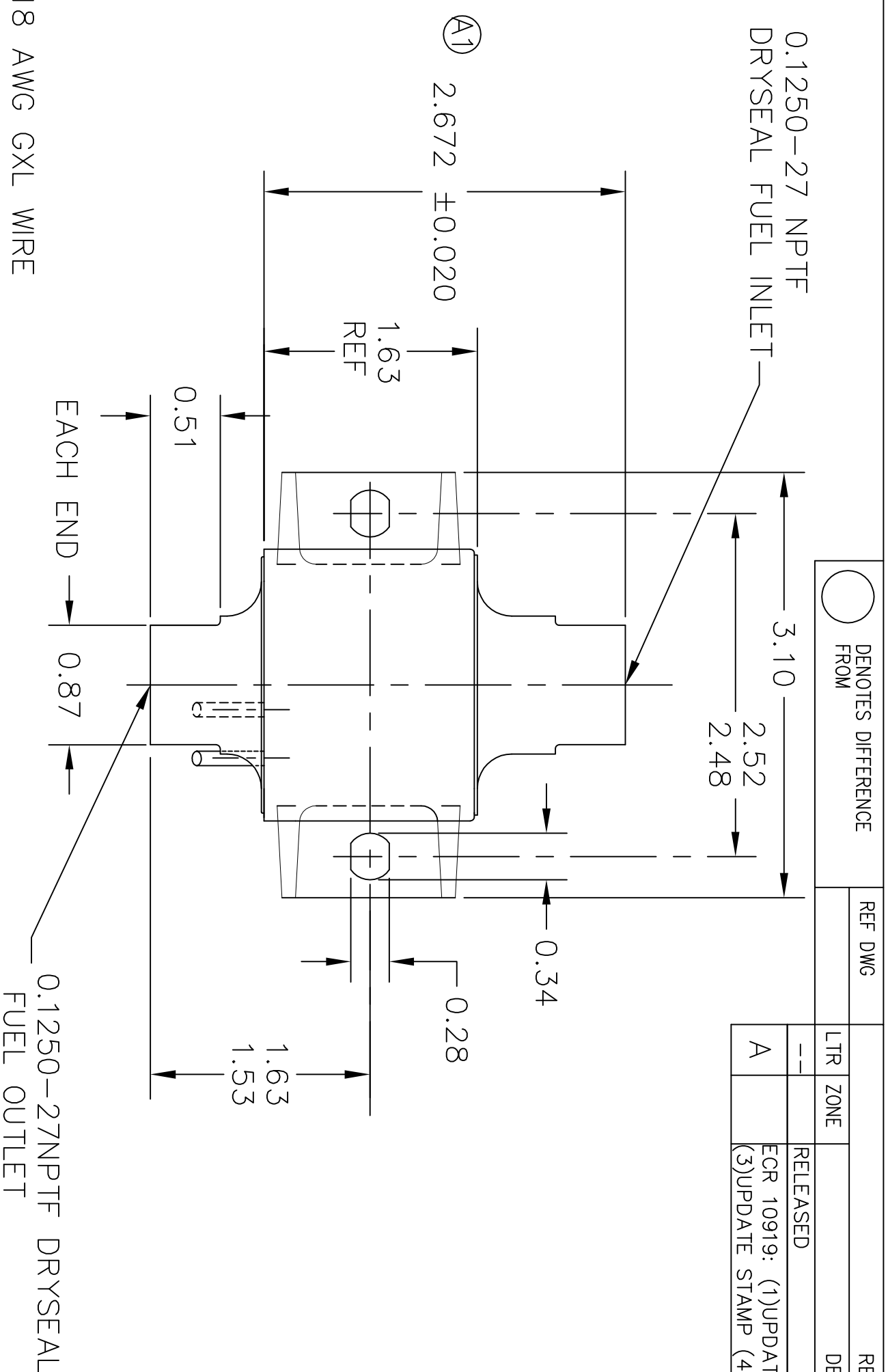
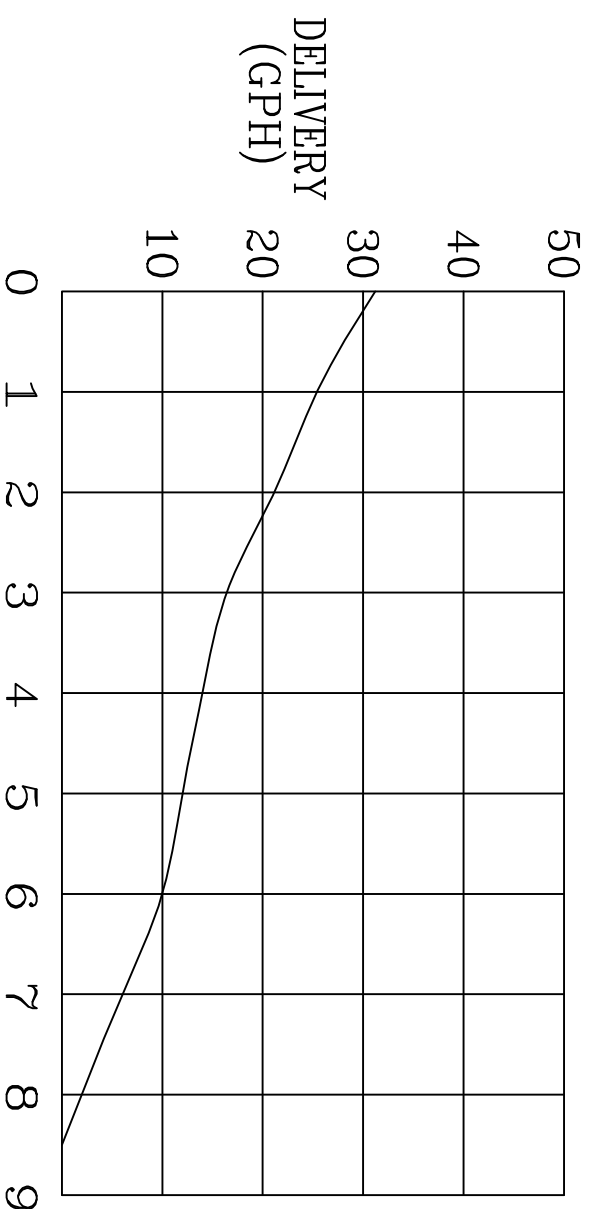


- NOTES:
- FOR OPERATION AT 10 TO 16 VDC— NOMINAL 12 VDC.
 - 1.4 AMP MAX AT NOMINAL VOLTAGE.
 - 7.0 TO 10 PSI AT ZERO DELIVERY.
 - DRY LIFT OF 12".

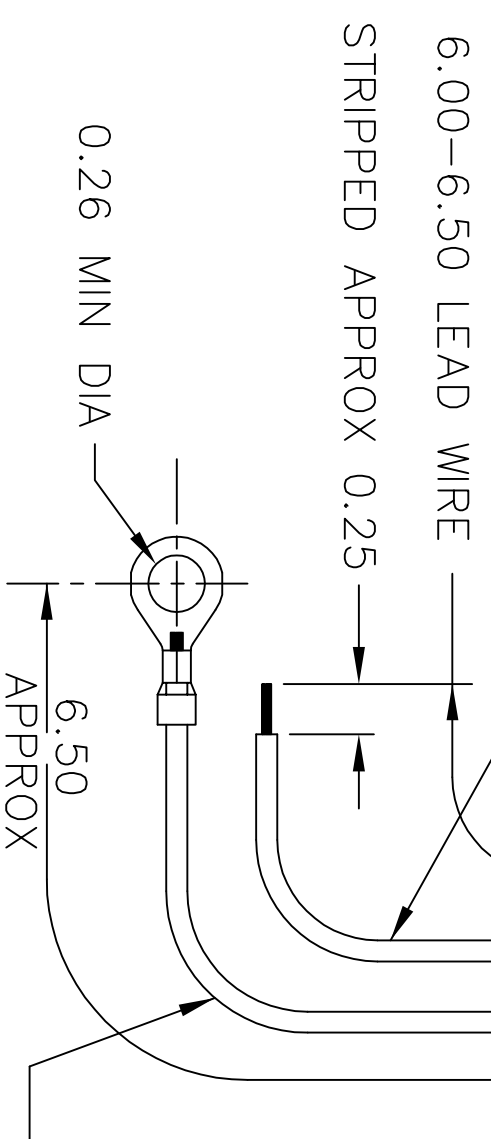
0.1250-27 NPTF
DRYSEAL FUEL INLET



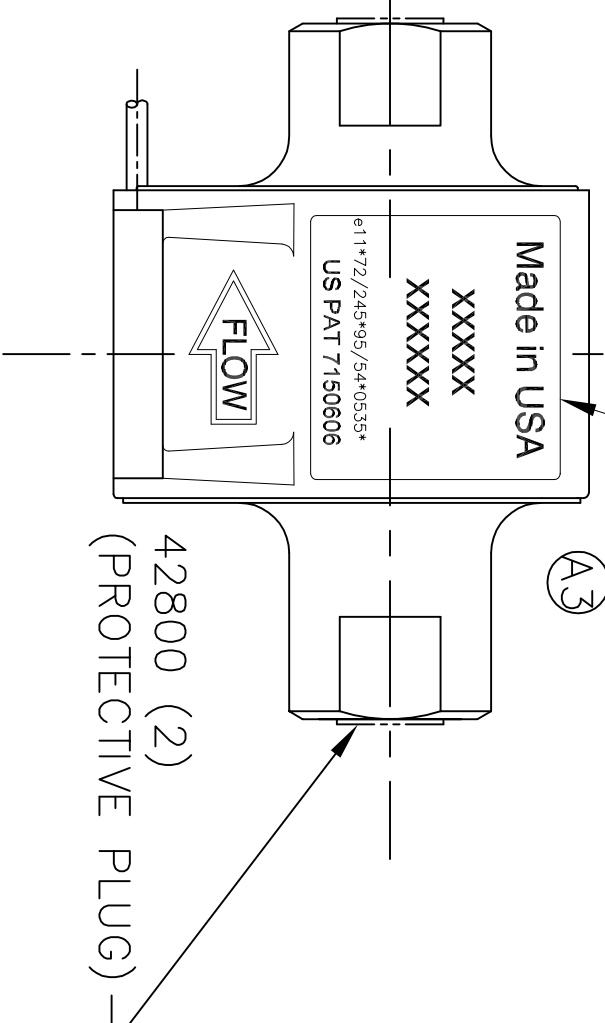
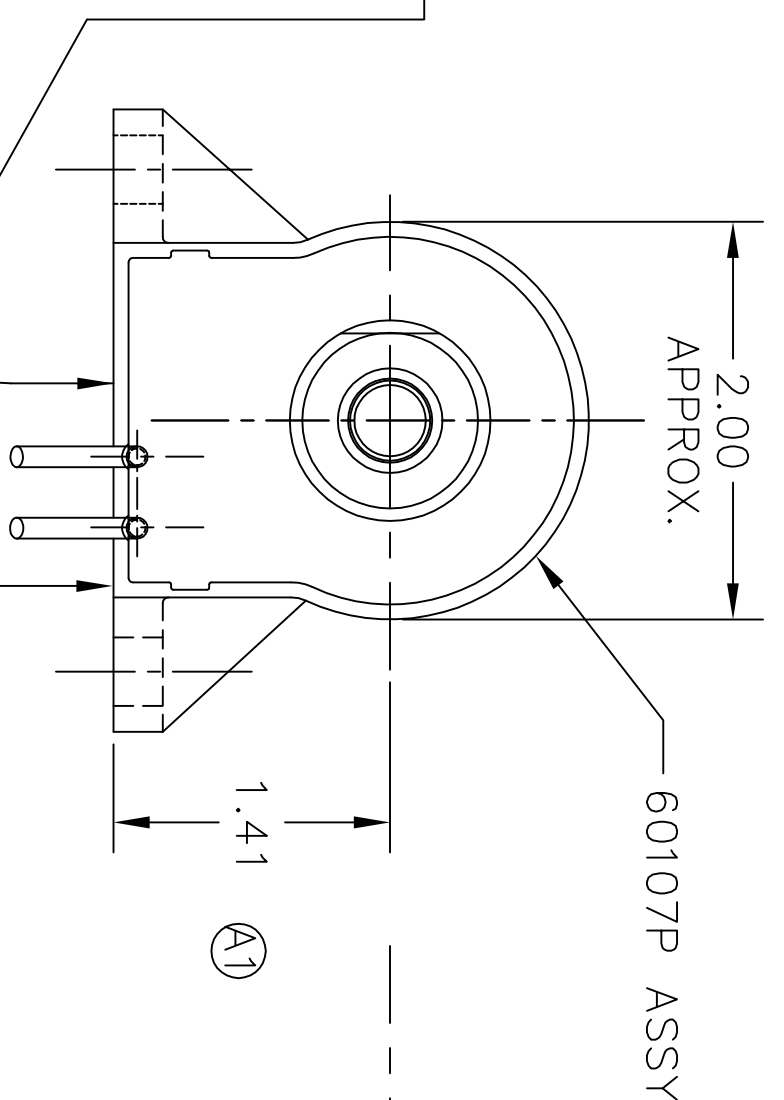
A2
18 AWG GXL WIRE
CONDUCTOR
STRANDING: 16/30
NOMINAL THICKNESS
(IN): 0.023
NOMINAL O.D. (IN):
0.094
MEETS SAE J-1128
MIN TEMP: -40°C MAX
TEMP: 125°C
CONDUCTOR MATERIAL:
BARE COPPER
INSULATION MATERIAL:
POLYETHYLENE (XLPE)
WIRE COLOR: RED



TYPICAL PRESSURE VS. DELIVERY
CURVE AT NOMINAL VOLTAGE.
ZERO HEAD ON FUEL INLET AND OUTLET.
FUEL - COMMERCIAL GASOLINE



A2
18 AWG GXL WIRE
CONDUCTOR
STRANDING: 16/30
NOMINAL THICKNESS
(IN): 0.023
NOMINAL O.D. (IN):
0.094
MEETS SAE J-1128
MIN TEMP: -40°C MAX
TEMP: 125°C
CONDUCTOR MATERIAL:
BARE COPPER
INSULATION MATERIAL:
POLYETHYLENE (XLPE)
WIRE COLOR: BLACK



STAMP AS SHOWN:
PART NO.
DATE

60107

REF DWG		REVISIONS		DATE	APPROVAL
LTR	ZONE	DESCRIPTION			
--		RELEASED		04-03-12	EXME
A		EGR 10919: (1)UPDATE DIMENSIONS (2)ADD WIRE NOTES (3)UPDATE STAMP (4) ADDED NOTE 4		07-11-12	DJB

MOTOR COMPONENTS, LLC
ELMIRA, NY 14903
TITLE
PUMP - ELECTRIC

10 PSI MAX 12V

UNLESS OTHERWISE SPECIFIED, INTERPRET DRAWINGS ACCORDING TO STANDARDS PRESCRIBED BY ANSI Y14.5M AND MOTOR COMPONENTS, LLC 1-340. DIMENSIONS ARE IN INCHES. MM DIMENSIONS ARE IN INCHES. MM		DRAWN	BY	DATE
HEAT TREAT	FINISH	CHECKED	JTHOMAS	10-27-03
		APPROVED	DJS	10-27-03

MATERIAL		THIS DOCUMENT CONTAINS PROPRIETARY INFORMATION AND THE DIMENSIONS IN THIS DRAWING ARE THE PROPERTY OF MOTOR COMPONENTS, LLC. NO PART OF THIS DOCUMENT MAY BE REPRODUCED OR TRANSMITTED IN ANY FORM OR BY ANY MEANS, WITHOUT PERMISSION IN WRITING FROM MOTOR COMPONENTS, LLC TO THE USER.		SCALE: 1/1	SIZE
COMPUTER GRAPHICS CHANGE RESTRICTED		SHEET 1 OF 1			
CODE INVENT	PRODUCTION DWG. NUMBER	PROTOTYPE DWG. NUMBER			
72850					60107